

1 TYPICAL ISOMETRIC
1" = 1'-0"

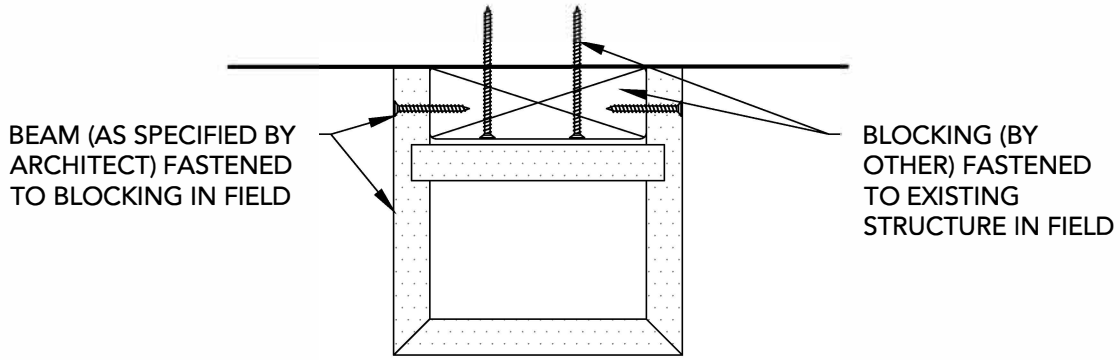
BEAM - ISOMETRIC

SHEET NUMBER
1

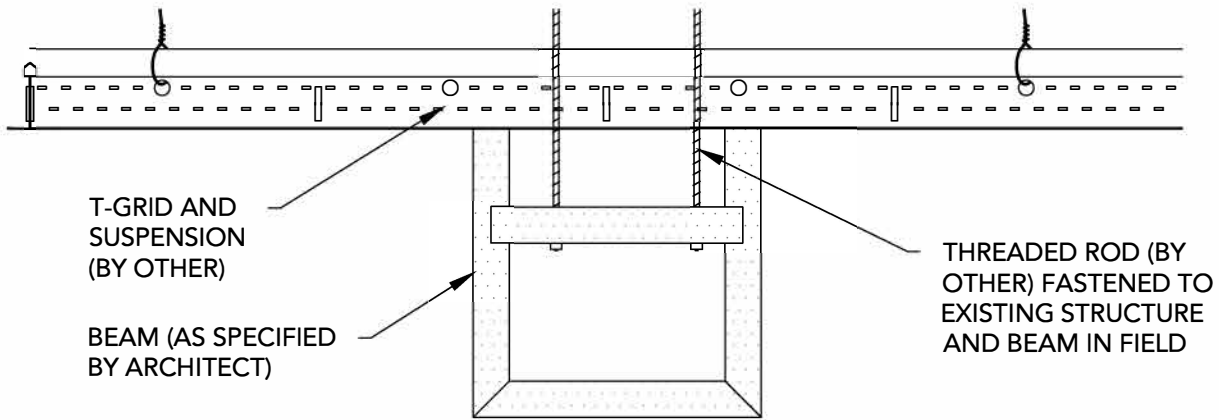
SCALE: AS NOTED

LAST REVISED: 2/28/2018

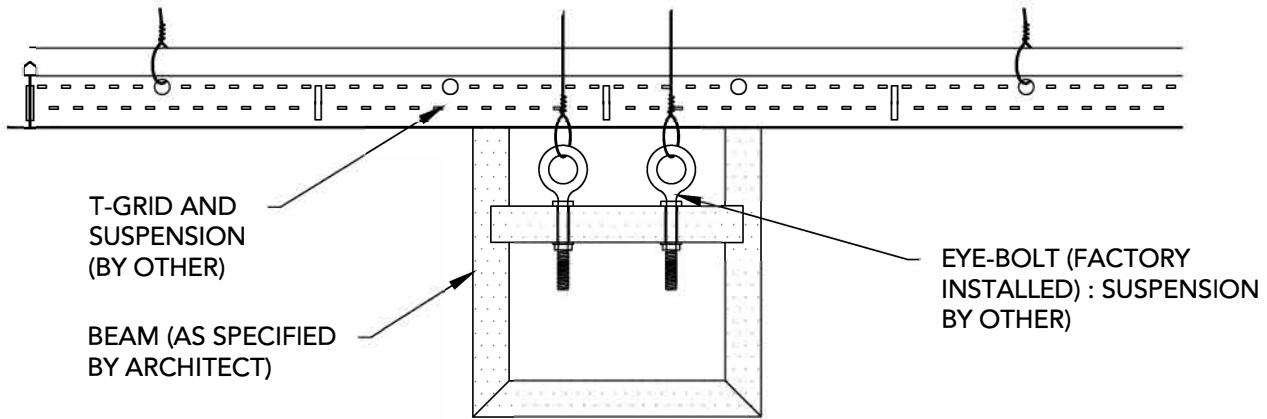
DRAWN BY: BMH



1 STANDARD CEILING MOUNT WITH BLOCKING
3" = 1'-0"



2 SUSPENDED MOUNT - THREADED ROD
3" = 1'-0"



3 SUSPENDED MOUNT - EYE-BOLT
3" = 1'-0"

BEAM - INSTALLATION OPTIONS

SHEET NUMBER

2

SCALE: AS NOTED

LAST REVISED: 2/28/2018

DRAWN BY: BMH

DO NOT SCALE DRAWING. FIGURED DIMENSIONS ARE TO BE FOLLOWED. READ THIS DRAWING IN CONNECTION WITH GENERAL ARCHITECTURAL PLANS, STRUCTURAL PLANS, AND OTHER RELATED DRAWINGS. THESE DRAWINGS REPRESENT ASI'S UNDERSTANDING AND INTERPRETATION OF THE ARCHITECTURAL DRAWINGS AND HOW ASI PRODUCTS RELATE TO THE PROJECT. COPYRIGHT ASI © 2018